

Please verify the contents of the packages!

Please read installation instructions in its entirety prior to installation.

Make sure the power is completely turned off before installing or modifying the system.

Call Tivoli, LLC tech support with questions.

Caution: ADAPT Pendant is designed to work with 120V AC current only. Use of any other power source will cause damage, shorten the life of the fixture and void the warranty.

Warning: With any luminaire for any application, basic safety precautions should always be followed to reduce the risk of fire, electric shock and personal injuries. This lighting system should be installed in accordance with the National Electrical Code (NEC) or Canadian Electrical Code (CEC) as applicable.

This unit is rated for dry locations only.

IMPORTANT SAFETY INSTRUCTIONS



Do not secure the Pendant wire with staples/nails or place on sharp hooks/nails. Use the Cable Anchors specifically designed for use with this product.

Do not let the lamp rest on any wires.

Do not use this product in any other application aside from its intended use.

Do not route Pendant through walls, doorways, windows or building structures.

Do not close doors or windows on the product wire as damages may result.

Do not cover the lamp with cloth, paper or any material that is not part of the product.

Do not install the product in enclosed spaces (e.g., soffits, cabinets or in ceilings)

Do not install this unit in wet areas.

CAUTION:

Disconnect power at source prior to replacing bulbs or servicing product in any way.

Product Specifications:

This ADAPT Pendant is rated at 120V AC, 60 Hz, 96 Watts.

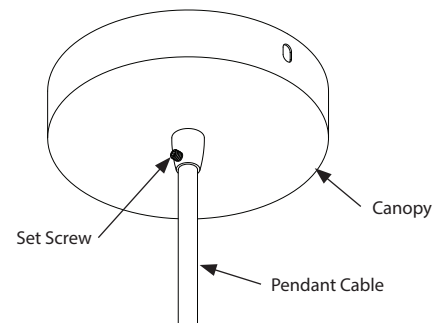
Do not wire multiple Pendants together. This system is rated to connect one Pendant only.

Installation Instructions: Modify Cable Length

Overview:

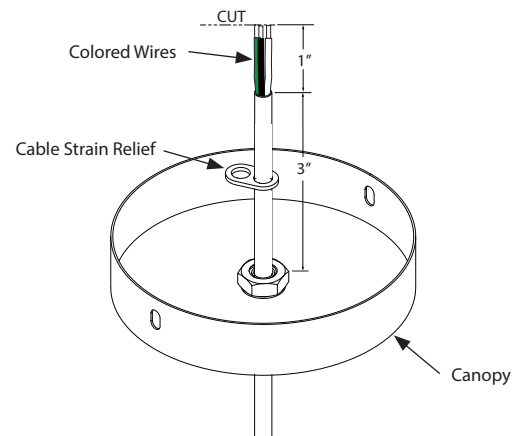
The Cable can be shortened if needed. Follow the Steps below to cut the Electrical Cable safely.

Step 1: Use an Allen Wrench (included) to loosen the set screw that holds the Pendant Cable in place.



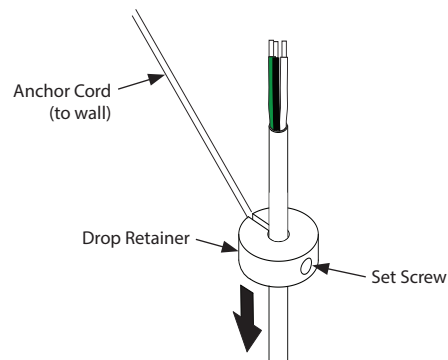
OPTION: If the optional Drop anchor will be used, it should be installed while the Pendant Cable is free. Follow the steps below marked "Option".

Step 2: Work the end of the Cable out of the Cable Strain Relief and pull the Cable up through the Canopy cover until the desired length from Light Socket to Canopy is achieved.



OPTION: If the light fixture will be suspended by the Drop Anchor and Cord, the Drop Retainer with Anchor Cord onto the cable will need to be installed at this point. Reference Page 4 to learn how to attach the Anchor Cord to the Drop Retainer. Note, the Wire should be attached to the Drop Retainer before sliding it onto the Pendant Cable.

Step 2, Option: Work the end of the Cable out of the Cable Strain Relief and pull the Pendant Cable all the way out of the Canopy. Loosen the set screw on the side of the Drop Retainer and slide it over the cable and down to the desired position. Tighten the set screw.



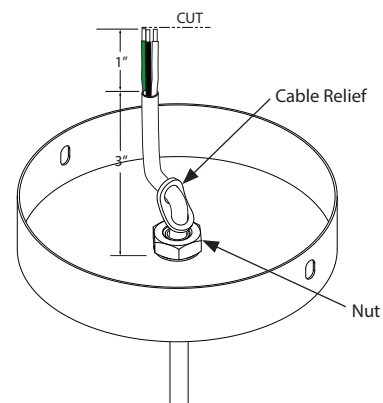
Step 3, Option: Once the Drop Retainer is installed on the Pendant Cable, insert the cable back into the hole in the Canopy and pull through to the desired length.

Step 4: Cut off the excess Cable from the top side of the Canopy, leaving about 4" of Cable sticking out from the top of the Canopy.

Step 5: Trim away roughly 1" of the outer insulation to reveal the Black, White and Green wires.

Step 6: Strip roughly 1/4" of the Plastic Insulation from the ends of the three colored wires, as shown.

Step 7: Push the end of the cable back through the open hole in the Cable Relief and work the relief down until the Cable Relief is in contact with the nut inside the Canopy, as shown.



Installation Instructions: Wiring The System

Step 1: Attach Mounting Bracket to Junction Box.

Note: Junction Box should already be mounted and wired in the ceiling.

Step 2: Insert the Cable through the center hole in the Mounting Bracket.

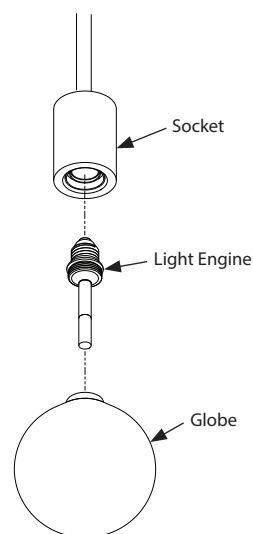
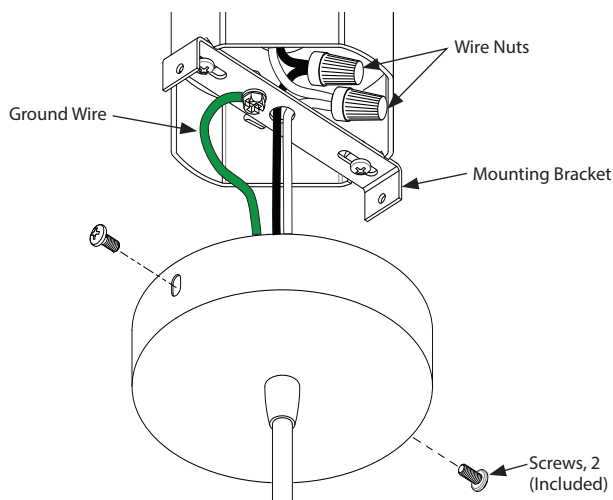
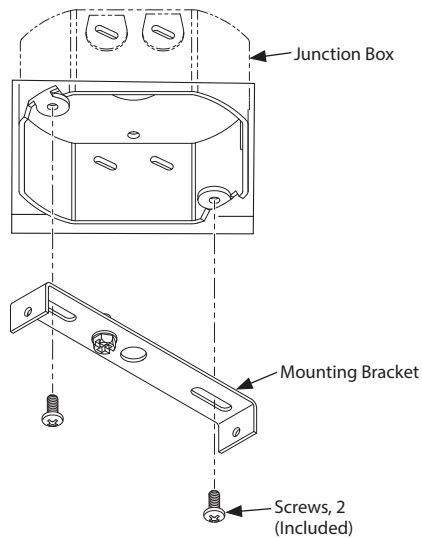
Step 3: Connect the White Wires together using a wire nut (by others).

Step 4: Connect the Black Wires together using a wire nut (by others).

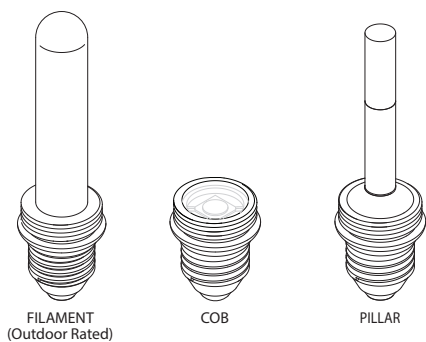
Step 5: Connect the Green Wire to the Ground Screw on the Mounting Bracket.

Step 6: Screw the Light engine into the Socket. Do not overtighten.

Step 7: Screw the Globe onto Light Engine. Do not overtighten.



Available Light Engines



Install Optional Anchor and Wire

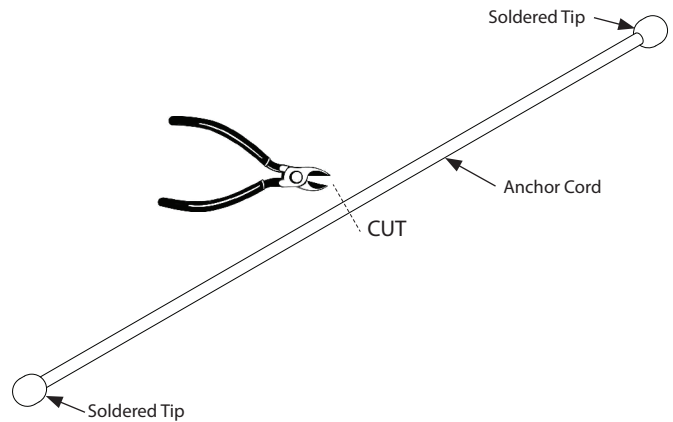
Overview:

Use the Drop Retainer Assembly to alter the hanging position of the Pendant. If needed, the Cord may be cut to pull the Pendant at a more extreme angle.

Install the Anchor Retainer on the Pendant Cable during the Installation process as described on Page 2.

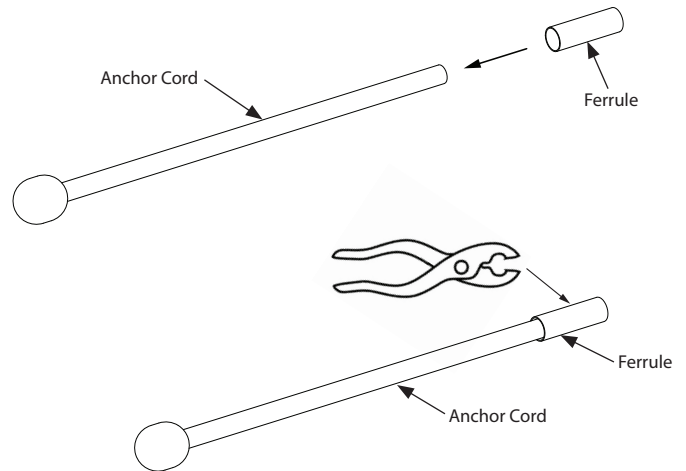
Shortening the Anchor Wire

Step 1: Use Wire Cutters to cut the Anchor Cord to the desired length.



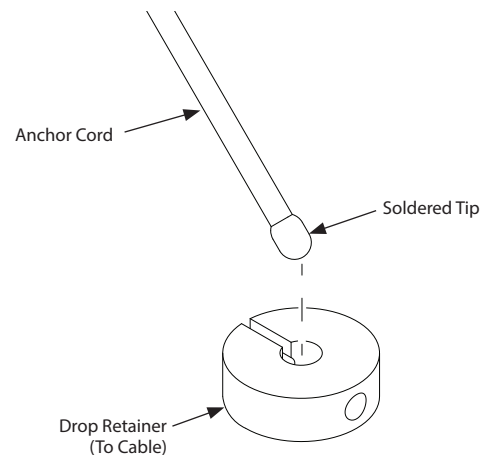
Step 2: Slide the Ferrule (included) over the end of the wire.

Step 3: Use pliers to crimp the Ferrule down onto the end of the wire. Make sure the Ferrule is firmly attached to the wire.



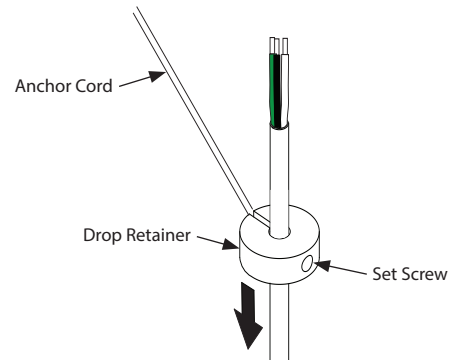
Build Anchor Assembly

Step 1: Attach one end of the Anchor Cord to the Drop Retainer, as shown. Insert the end of the Anchor Cord into the center of the Drop Retainer and pull it to the outer edge so the cord is secured in the slot.

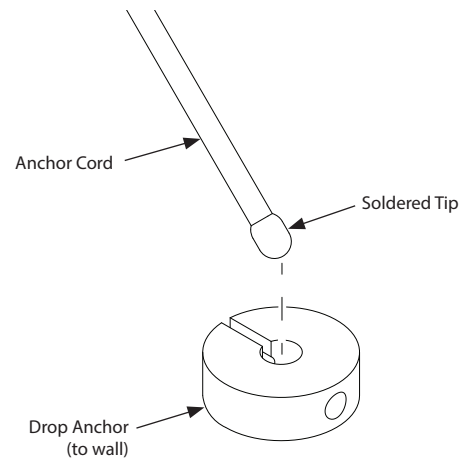


Install Optional Anchor and Wire (Continued)

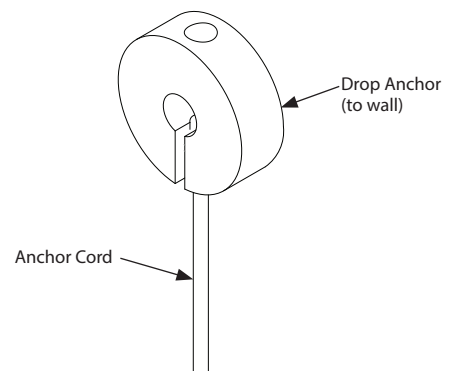
Step 2: Once the Pendant Cable is free from the Canopy (See Page 2), slide the Drop Retainer and Anchor Cord Assembly over the Cable and tighten the Set Screw.



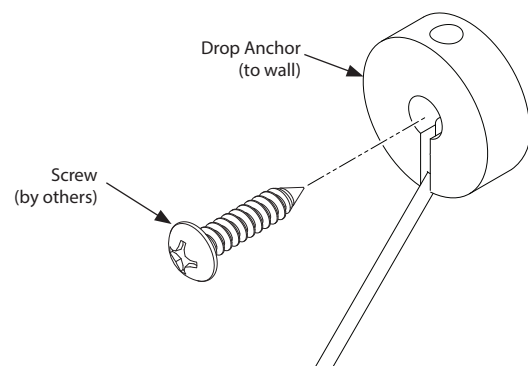
Step 3: Attach the free end of the Anchor Cord to the Drop Anchor, as shown. Insert the end of the Anchor Cord into the center of the Drop Anchor and insert the soldered end of the Cord (or the crimped ferrule end) into the slot in the Anchor and pull it to the outer edge so the cord is secured in the slot.



Step 4: Determine a mounting location for the Drop Anchor that will create the desired hanging effect. Orient the direction of the slot and Anchor Cord for best effect.



Step 5: Attach the Drop Anchor to the mounting surface using an appropriate fastener (e.g. wood screws for wood)



Hanging Examples

“MONO”

This design needs no additional support from the secondary Drop Anchor. Mount canopy plate directly to J-Box and adjust length of the textile cord to desired level.

NOTE: Recommended minimum distance between globes or from wall is 5" to prevent possible breakage.



“T”

Configuration used with an existing wall mounted J-Box. Position the Drop Anchor to the ceiling located directly above desired pendant location. Use the Anchor cord and Drop Retainer to raise or lower pendant for best possible illumination.

NOTE: Recommended minimum distance between globes or from wall are 5" to prevent possible breakage.

